

70-450
Interrupted Threads
Medium Ribbed with Matte Finish

Comet Part Number: 1340-0029

Product Benefits

- General Purpose closure
- Fine-ribbed sides for easy grip
- FDA approved

Markets

- ❖ Agricultural products
- ❖ Dressing and Sauces
- ❖ Food
- ❖ Food Services
- ❖ Industrial Applications
- ❖ Medical Products
- ❖ Cosmetics
- ❖ Pharmaceuticals

Closure Specifications

- Diameter: 70mm
- Thread Profile: 450
- Neck Finish: SP'L 70-450
- Cap Height: 0.538 inches
- Closure Top: Matte
- Closure Sidewall: Ribbed
- Material: PP

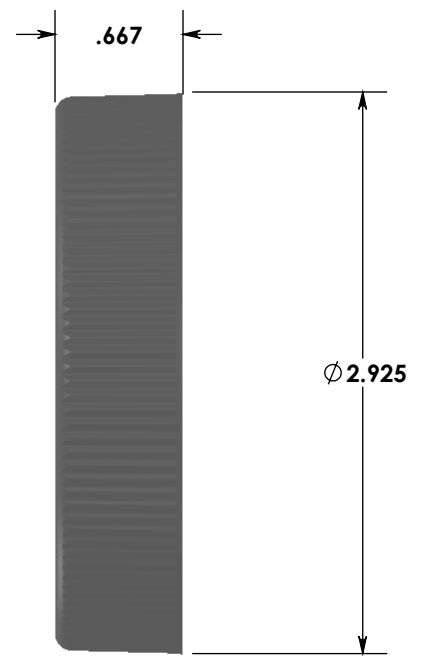
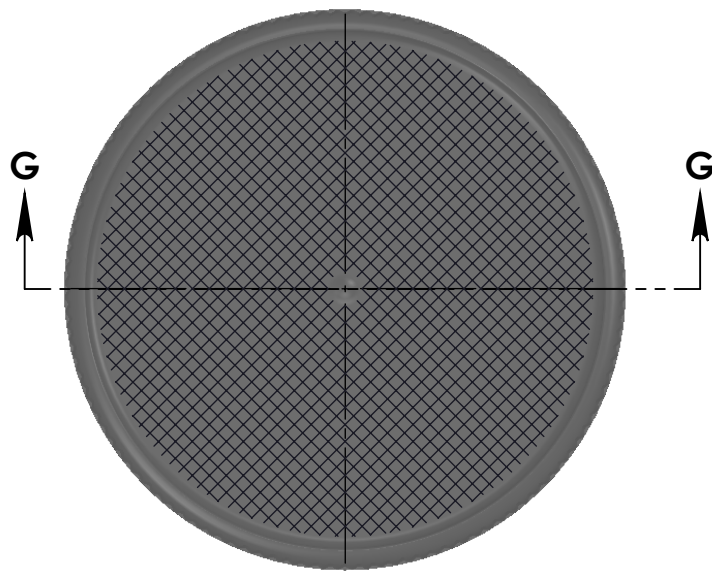
Options

- Available in white, black, standard colors as well as custom colors
- Custom embossing available
- Both lined and unlined options available

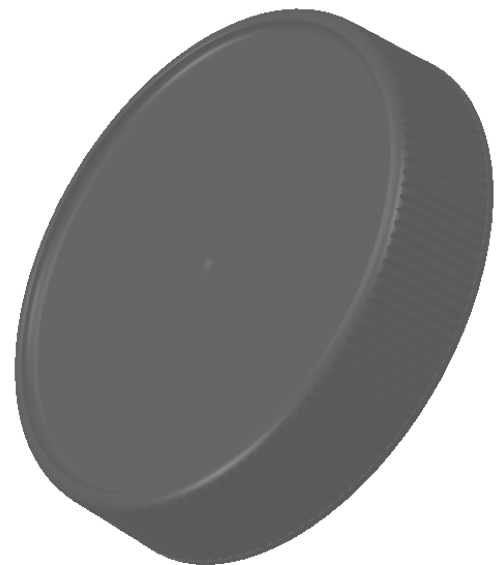
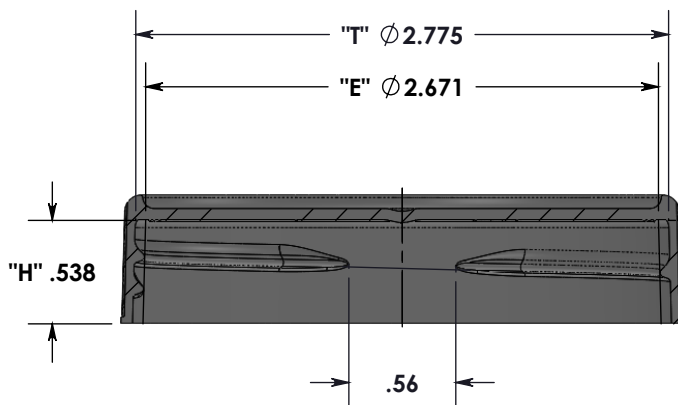
Packaging and Logistics Information

Pack Type	Pallet Dimensions	PCS/CTN	CTNS/skid	PCS/skid	Freight
Skid	48 x 44 x 93	850	30	25,500	FOB Pitman, NJ 08071

Location:
651 Lambs Road, Pitman, NJ 08071



**EXTERIOR SURFACES FINISHED SPI-A2 POLISH
UNSPECIFIED INTERIOR AREAS FINISHED SPI-B2**



SECTION G-G

**THREAD DATA:
SP'L 70mm 450 FINISH
.167 PITCH (6 T.P.I.)
1.2 TURNS OF THD.**

**ADVERTISING DRAWING
NOT FOR QUALITY CONTROL**

DIMENSIONS ARE IN INCHES
TOLERANCES:
FRACTIONAL ±1/32
ANGULAR ±1/2
TWO PLACE DECIMAL ±.03
THREE PLACE DECIMAL ±.015

PROPRIETARY AND CONFIDENTIAL
THE INFORMATION CONTAINED IN THIS DRAWING IS THE SOLE PROPERTY OF COMET TOOL Co. ANY REPRODUCTION IN PART OR AS A WHOLE WITHOUT THE WRITTEN PERMISSION OF COMET TOOL Co. IS PROHIBITED.
MATERIAL
POLYPROPYLENE
DRAWN BY
JJM



COMET TOOL COMPANY
651 LAMBS RD. PITMAN, N.J 08071-2042

TITLE:
**SPECIAL 70mm 450 INTERRUPTED THREAD CLOSURE
MEDIUM RIBBED WITH MATTE FINISH**

PLASTIC PART NO.	PLASTIC PART REV.	DWG. NO.	SIZE	REV	DATE
1340-0029	*	1340-0029	A	*	7/21/21

SCALE: 1:1

SHEET 2 OF 2