

63-445
Continuous Thread Closure
Serrated with Matte Finish

Comet Part Number: 1340-0058

Product Benefits

- General Purpose closure
- Fine-ribbed sides for easy grip
- FDA approved

Closure Specifications

Diameter: 63mm
 Thread Profile: 445
 Neck Finish: 63-445
 Cap Height: 0.633 inches
 Closure Top: Matte
 Closure Sidewall: Ribbed
 Material: PP

Markets

- ❖ Agricultural products
- ❖ Dressing and Sauces
- ❖ Food
- ❖ Food Services
- ❖ Industrial Applications
- ❖ Medical Products
- ❖ Cosmetics
- ❖ Pharmaceuticals

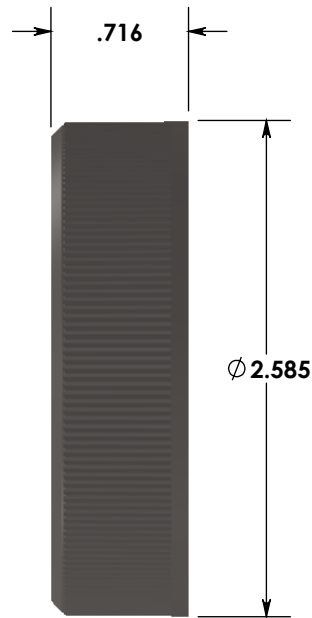
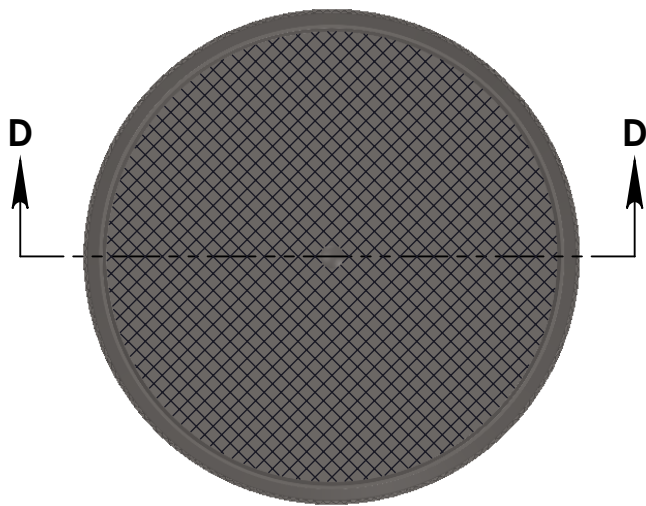
Options

- Available in white, black, standard colors as well as custom colors
- Custom embossing available
- Both lined and unlined options available

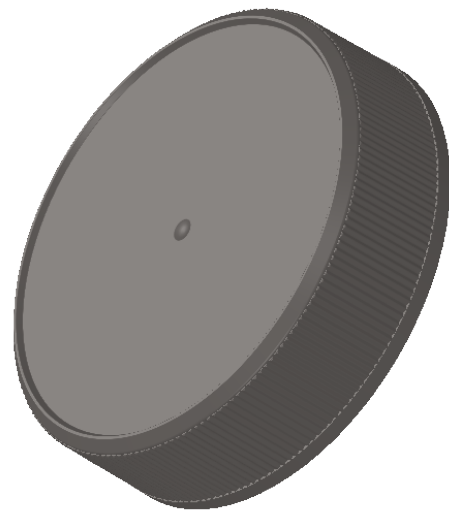
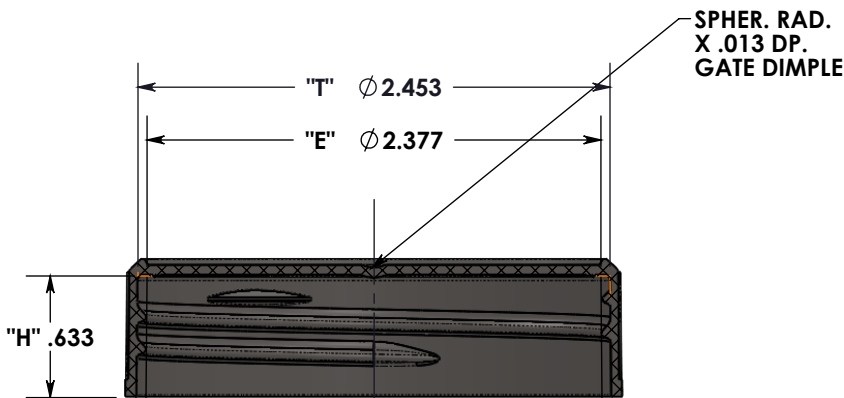
Packaging and Logistics Information

Pack Type	Pallet Dimensions	PCS/CTN	CTNS/skid	PCS/skid	Freight
Skid	48 x 44 x 93	1,100	30	33,000	FOB Pitman, NJ 08071

Location:
 651 Lambs Road, Pitman, NJ 08071



TOP SURFACE AND RIBS ARE FINISHED MATTE
 UNSPECIFIED EXTERIOR AREAS FINISHED SPI-A3
 UNSPECIFIED INTERIOR AREAS FINISHED SPI-B2



SECTION D-D

THREAD DATA:
 SP'L 63-445 FINISH
 .167 PITCH (6 T.P.I.)
 1 1/4 TURNS OF THD.

ADVERTISING DRAWING
 NOT FOR QUALITY CONTROL

DIMENSIONS ARE IN INCHES	
TOLERANCES:	
FRACTIONAL	±1/32
ANGULAR	±1/2
TWO PLACE DECIMAL	±.03
THREE PLACE DECIMAL	±.015

PROPRIETARY AND CONFIDENTIAL
 THE INFORMATION CONTAINED IN THIS DRAWING IS THE SOLE PROPERTY OF COMET TOOL CO. ANY REPRODUCTION IN PART OR AS A WHOLE WITHOUT THE WRITTEN PERMISSION OF COMET TOOL CO. IS PROHIBITED.

MATERIAL
POLYPROPYLENE

DRAWN BY
JJM



COMET TOOL COMPANY
 651 LAMBS RD. PITMAN, N.J 08071-2042

TITLE:
**SPECIAL 63-445 CT CLOSURE
 SERRATED WITH MATTE FINISH**

PLASTIC PART NO. 1340-0058	PLASTIC PART REV. B	DWG. NO. 1340-0058	SIZE A	REV *	DATE 7/21/21
--------------------------------------	-------------------------------	------------------------------	------------------	-----------------	------------------------

SCALE: 1:1 SHEET 2 OF 2