

63-445
Continuous Thread Closure
Smooth Finish

Comet Part Number: 1340-0048

Product Benefits

- General Purpose closure
- FDA approved

Closure Specifications

Diameter: 63mm
 Thread Profile: 445
 Neck Finish: 63-445
 Cap Height: 0.636 inches
 Closure Top: Smooth
 Closure Sidewall: Smooth
 Material: PP

Markets

- ❖ Agricultural products
- ❖ Dressing and Sauces
- ❖ Food
- ❖ Food Services
- ❖ Industrial Applications
- ❖ Medical Products
- ❖ Cosmetics
- ❖ Pharmaceuticals

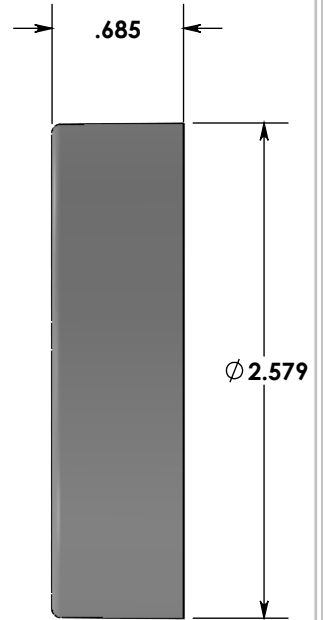
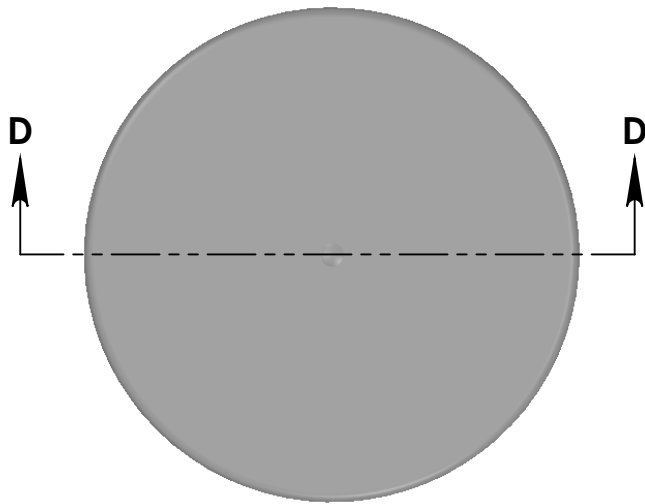
Options

- Available in white, black, standard colors as well as custom colors
- Custom embossing available
- Both lined and unlined options available

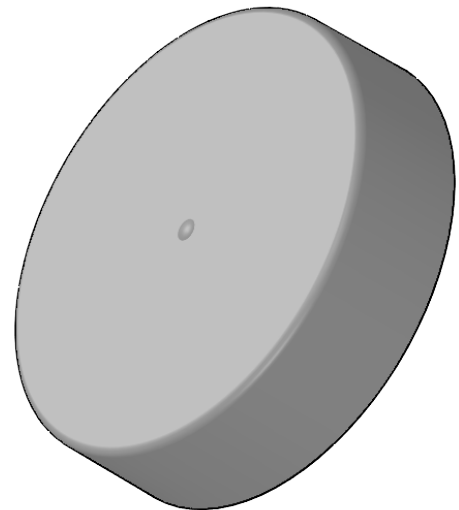
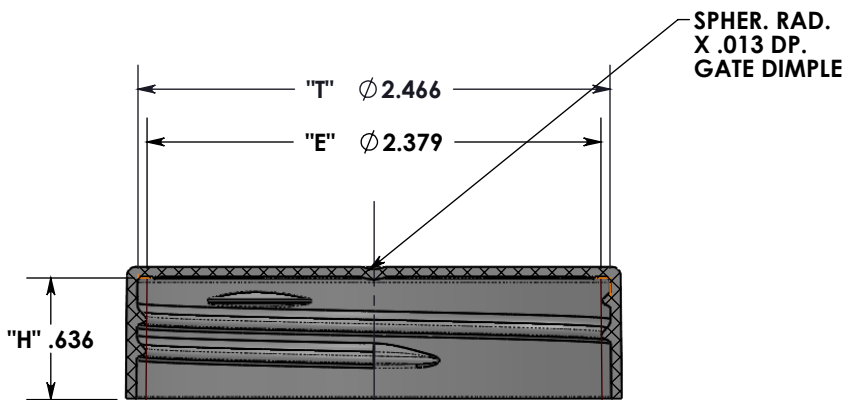
Packaging and Logistics Information

Pack Type	Pallet Dimensions	PCS/CTN	CTNS/PALT	PCS/skid	Freight
Skid	48 x 44 x 93	1,100	30	33,000	FOB Pitman, NJ 08071

Location:
 651 Lambs Road, Pitman, NJ 08071




**EXTERIOR SURFACES FINISHED
SPI-A2 POLISH
UNSPECIFIED INTERIOR AREAS FINISHED
SPI-B2**



SECTION D-D

**THREAD DATA:
SP'L 63-445 FINISH
.167 PITCH (6 T.P.I.)
1 1/4 TURNS OF THD.**

**ADVERTISING DRAWING
NOT FOR QUALITY CONTROL**

DIMENSIONS ARE IN INCHES TOLERANCES: FRACTIONAL $\pm 1/32$ ANGULAR $\pm 1/2$ TWO PLACE DECIMAL $\pm .03$ THREE PLACE DECIMAL $\pm .015$		PROPRIETARY AND CONFIDENTIAL THE INFORMATION CONTAINED IN THIS DRAWING IS THE SOLE PROPERTY OF COMET TOOL Co. ANY REPRODUCTION IN PART OR AS A WHOLE WITHOUT THE WRITTEN PERMISSION OF COMET TOOL Co. IS PROHIBITED. MATERIAL POLYPROPYLENE DRAWN BY JJM	 COMET TOOL COMPANY 651 LAMBS RD. PITMAN, N.J 08071-2042 TITLE: SPECIAL 63-445 CT CLOSURE SMOOTH FINISH	PLASTIC PART NO. 1340-0048	PLASTIC PART REV. B	DWG. NO. 1340-0048	SIZE A	REV *	DATE 7/21/21	
							SCALE: 1:1	SHEET 2 OF 2		