

38-400
Continuous Thread Closure
Matte Finish

Comet Part Number: 1340-0014

Product Benefits

- General Purpose closure
- Fine-ribbed sides for easy grip
- FDA approved

Markets

- ❖ Agricultural products
- ❖ Dressing and Sauces
- ❖ Food
- ❖ Food Services
- ❖ Industrial Applications
- ❖ Medical Products
- ❖ Cosmetics
- ❖ Pharmaceuticals

Closure Specifications

- Diameter: 38mm
- Thread Profile: 400
- Neck Finish: 38-400
- Cap Height: 0.395 inches
- Closure Top: Matte
- Closure Sidewall: Ribbed
- Material: PP

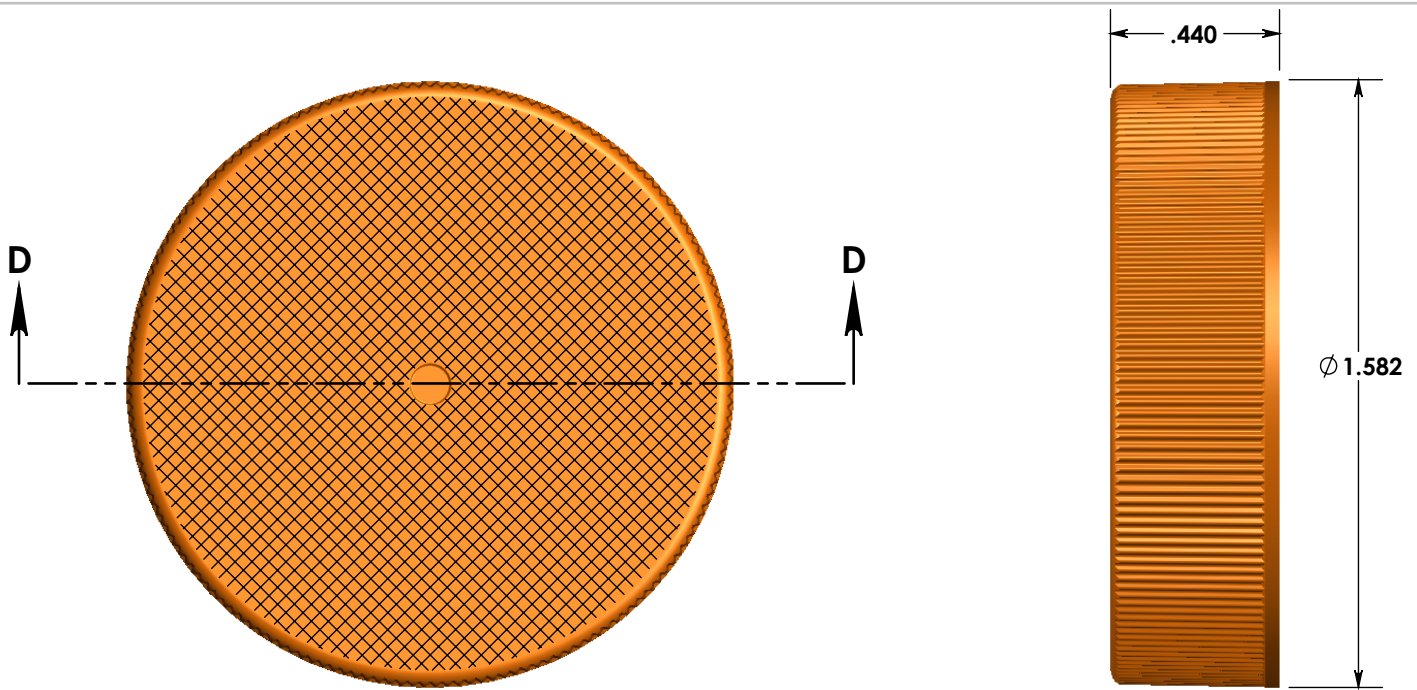
Options

- Available in white, black, standard colors as well as custom colors
- Custom embossing available
- Both lined and unlined options available

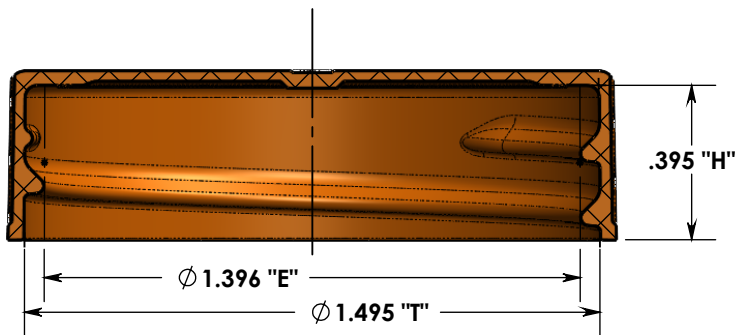
Packaging and Logistics Information

Pack Type	Pallet Dimensions	PCS/CTN	CTNS/PALT	PCS/skid	Freight
Skid	50 x 46 x 90	2,900	42	121,800	FOB Pitman, NJ 08071

Location:
 651 Lambs Road, Pitman, NJ 08071

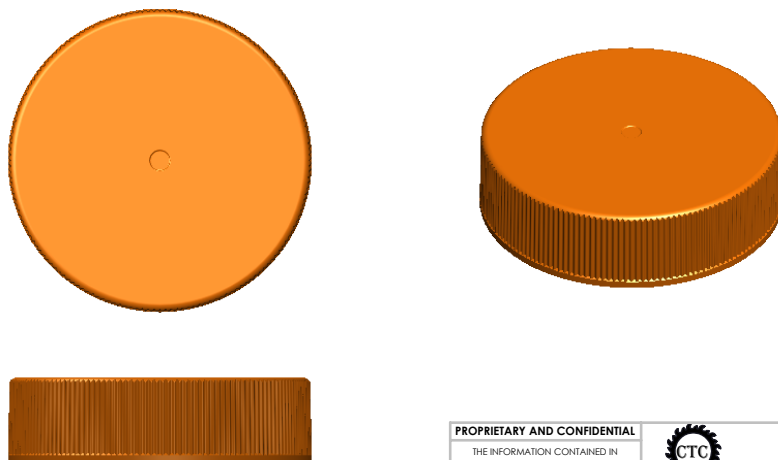


**TOP SURFACE & RIBS ARE FINISHED MATTE
UNSPECIFIED EXTERIOR AREAS FINISHED SPI-A3
UNSPECIFIED INTERIOR AREAS FINISHED SPI-B2**



SECTION D-D

**ADVERTISING DRAWING
NOT FOR QUALITY CONTROL**



**THREAD DATA:
38-400 FINISH
.167 PITCH (6 T.P.I.)
1 1/8 TURNS OF THD.**

UNLESS OTHERWISE SPECIFIED:
DIMENSIONS ARE IN INCHES
(X.XXXX) = REFERENCE DIMENSION
TOLERANCES:
FRACTIONAL ±1/32
ANGULAR: ±1/2
TWO PLACE DECIMAL ±.030
THREE PLACE DECIMAL ±.015

PROPRIETARY AND CONFIDENTIAL
THE INFORMATION CONTAINED IN
THIS DRAWING IS THE SOLE PROPERTY
OF COMET TOOL Co. ANY
REPRODUCTION IN PART OR AS A
WHOLE WITHOUT THE WRITTEN
PERMISSION OF COMET TOOL Co. IS
PROHIBITED.
MATERIAL
POLYPROPYLENE
DRAWN BY
JJM



COMET TOOL COMPANY

651 LAMBS RD. PITMAN, N.J 08071-2042

TITLE:
**38-400 CT CLOSURE
MATTE TOP WITH RADIUS AND SERRATIONS**

PLASTIC PART NO.	PLASTIC PART REV.	DWG. NO.	SIZE	REV	DATE
1340-0014	*	1340-0014	A	*	7/21/21
SCALE: 2:1					SHEET 1 OF 1