

38-400
Continuous Thread Closure
Matte Finish

Comet Part Number: 1340-0004

Closure Specifications

Diameter: 38mm

Thread Profile: 400

Neck Finish: 38-400

Cap Height: 0.396 inches

Closure Top: Chamfered

Closure Sidewall: Ribbed

Material: PP

Product Benefits

- General Purpose closure
- Fine-ribbed sides for easy grip
- FDA approved

Markets

- ❖ Agricultural products
- ❖ Dressing and Sauces
- ❖ Food
- ❖ Food Services
- ❖ Industrial Applications
- ❖ Medical Products
- ❖ Cosmetics
- ❖ Pharmaceuticals

Options

- Available in white, black, standard colors as well as custom colors
- Custom embossing available
- Both lined and unlined options available

Packaging and Logistics Information

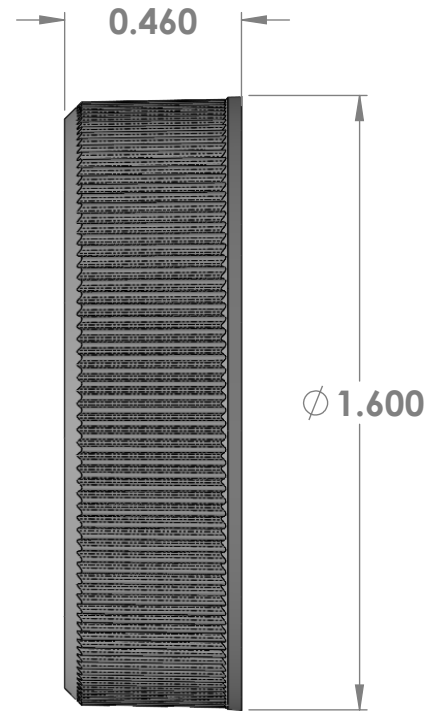
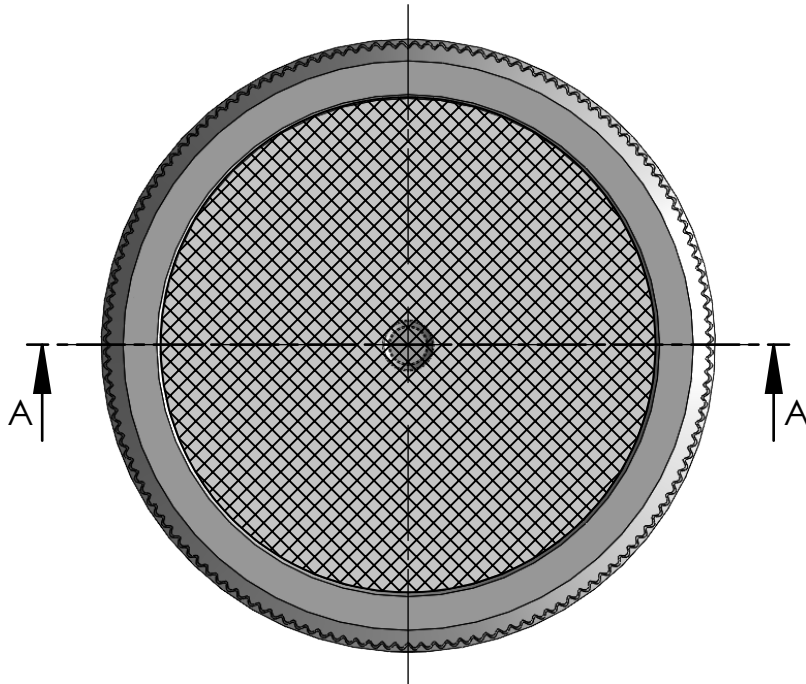
Pack Type	Pallet Dimensions	PCS/CTN	CTNS/PALT	PCS/skid	Freight
Skid	50 x 46 x 90	2,900	42	121,800	FOB Pitman, NJ 08071

Location:
651 Lambs Road, Pitman, NJ 08071

2

1

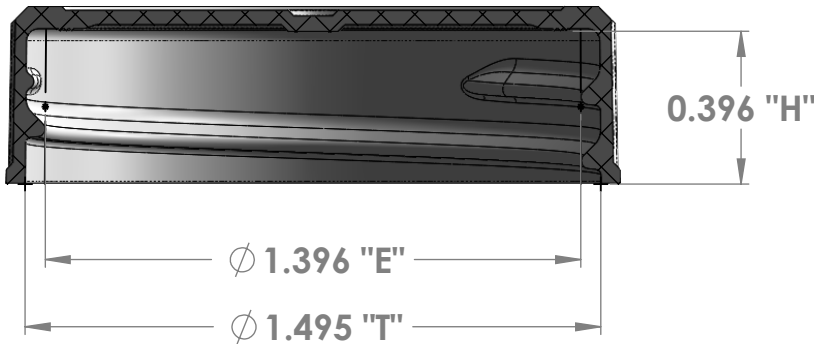
B



B

**TOP AREA AND RIBS ARE FINISHED MATTE
UNSPECIFIED EXTERIOR AREAS FINISHED SPI-A3
UNSPECIFIED INTERIOR AREAS FINISHED SPI-B2**

**ADVERTISING DRAWING
NOT FOR QUALITY CONTROL**



**THREAD DATA:
38-400 FINISH
.167 PITCH (6 T.P.I.)
1 1/8 TURNS OF THD.**

A

SECTION A-A

A

UNLESS OTHERWISE SPECIFIED:
DIMENSIONS ARE IN INCHES
TOLERANCES:
FRACTIONAL: ±1/32
ANGULAR: ±1/2
TWO PLACE DECIMAL ±.03
THREE PLACE DECIMAL ±.015



COMET TOOL COMPANY

651 LAMBS RD. PITMAN, N.J 08071-2042

TITLE:

38-400 CT CLOSURE

MATTE TOP CHAMFERED EDGE SERRATED WALL

PROPRIETARY AND CONFIDENTIAL

MATERIAL
POLYPROPYLENE

SHRINKAGE *
DRAWN BY **MG**

PLASTIC PART NO.
1340-0004

PLASTIC PART REV.

DWG. NO.
1340-0004

SIZE
A

REV

DATE
7/21/21

SCALE: 2:1

SHEET 1 OF 1

THE INFORMATION CONTAINED IN THIS DRAWING IS THE SOLE PROPERTY OF COMET TOOL COMPANY. ANY REPRODUCTION IN PART OR WHOLE WITHOUT THE WRITTEN PERMISSION OF COMET TOOL COMPANY IS PROHIBITED.

2

1