

110-400

Continuous Threads  
Smooth Finish

Comet Part Number: 1340-0027

Product Benefits

- General Purpose closure
- FDA approved

Closure Specifications

Diameter: 110mm  
Thread Profile: 400  
Neck Finish: 110-400  
Cap Height: 0.559 inches  
Closure Top: Matte  
Closure Sidewall: Fine Ribbed  
Material: PP

Markets

- ❖ Agricultural products
- ❖ Dressing and Sauces
- ❖ Food
- ❖ Food Services
- ❖ Industrial Applications
- ❖ Medical Products
- ❖ Cosmetics
- ❖ Pharmaceuticals

Options

- Available in white, black, standard colors as well as custom colors
- Custom embossing available
- Both lined and unlined options available

Packaging and Logistics Information

Pack Type	Pallet Dimensions	PCS/CTN	CTNS/skid	PCS/skid	Freight
Skid	48 x 44 x 86	400	24	9,600	FOB Pitman, NJ 08071

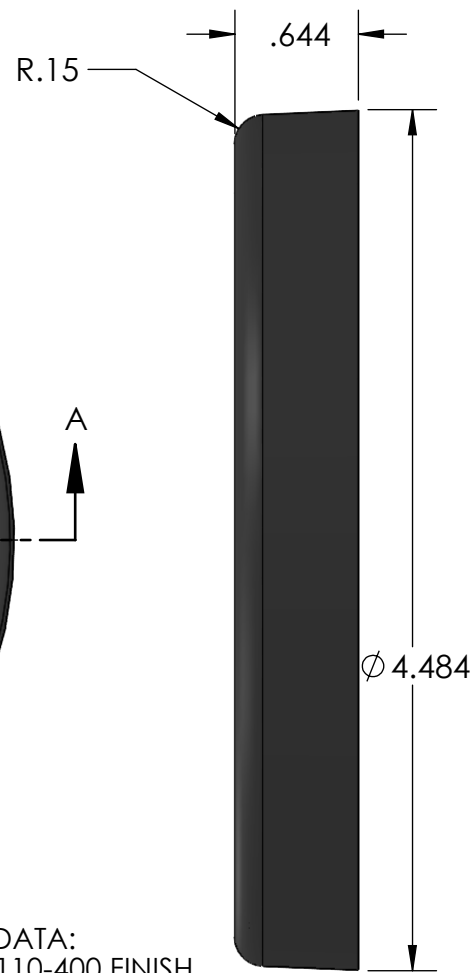
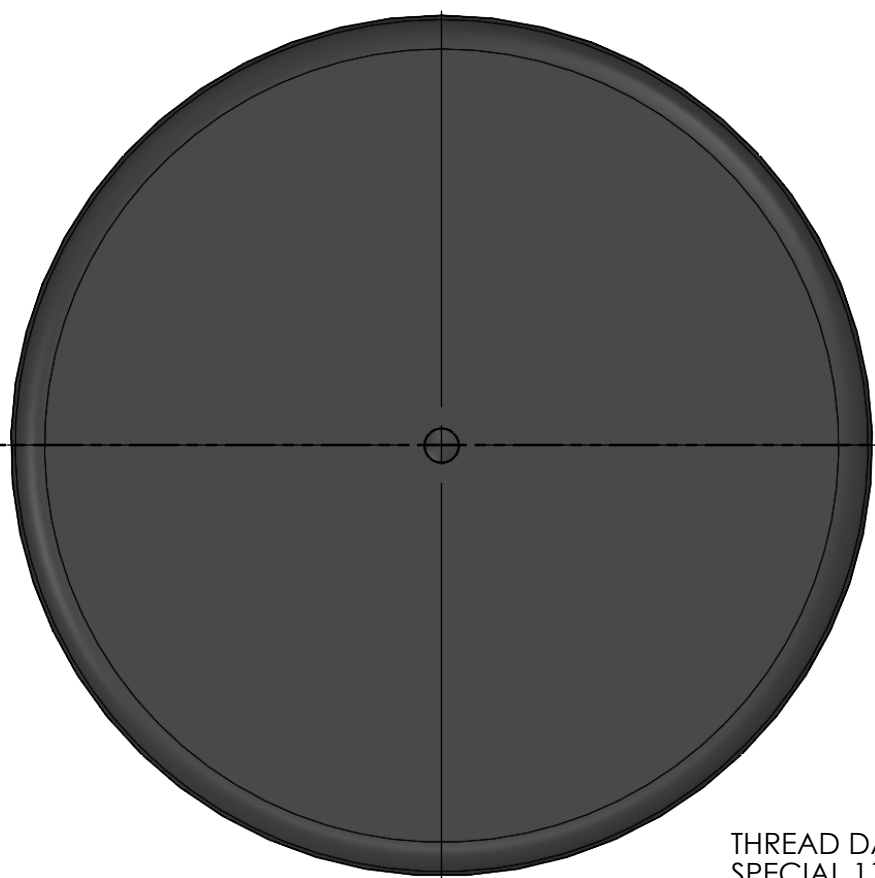
**Location:**  
651 Lambs Road, Pitman, NJ 08071

2

1

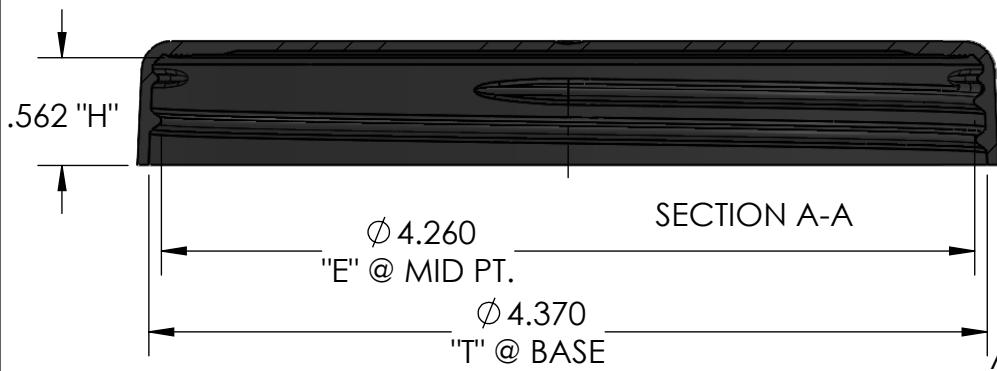
B

B



THREAD DATA:  
SPECIAL 110-400 FINISH  
.200 PITCH (5 TPI)  
APPROX. 1-1/4 TURNS

EXTERIOR SURFACES FINISHED  
SPI-A2 POLISH  
UNSPECIFIED INTERIOR AREAS  
FINISHED SPI-SPI-B2



ADVERTISING DRAWING  
NOT FOR QUALITY CONTROL

A

A

UNLESS OTHERWISE SPECIFIED:	
DIMENSIONS ARE IN INCHES	
TOLERANCES:	
FRACTIONAL:	±1/32
ANGULAR:	±1/2
TWO PLACE DECIMAL:	±.03
THREE PLACE DECIMAL:	±.015



**COMET TOOL COMPANY**  
651 LAMBS RD. PITMAN, N.J 08071-2042

TITLE:

**110mm SMOOTH WALLED CAP**

PROPRIETARY AND CONFIDENTIAL

MATERIAL  
**POLYPROPYLENE**

PLASTIC PART NO.	PLASTIC PART REV.	DWG. NO.	SIZE	REV	DATE
------------------	-------------------	----------	------	-----	------

SHRINKAGE \*

DRAWN BY **MG**

*	*	*	<b>A</b>	*	<b>8/4/21</b>
---	---	---	----------	---	---------------

THE INFORMATION CONTAINED IN THIS DRAWING IS THE SOLE PROPERTY OF COMET TOOL COMPANY. ANY REPRODUCTION IN PART OR WHOLE WITHOUT THE WRITTEN PERMISSION OF COMET TOOL COMPANY IS PROHIBITED.

SCALE: 1:1 SHEET 1 OF 2

2

1

A